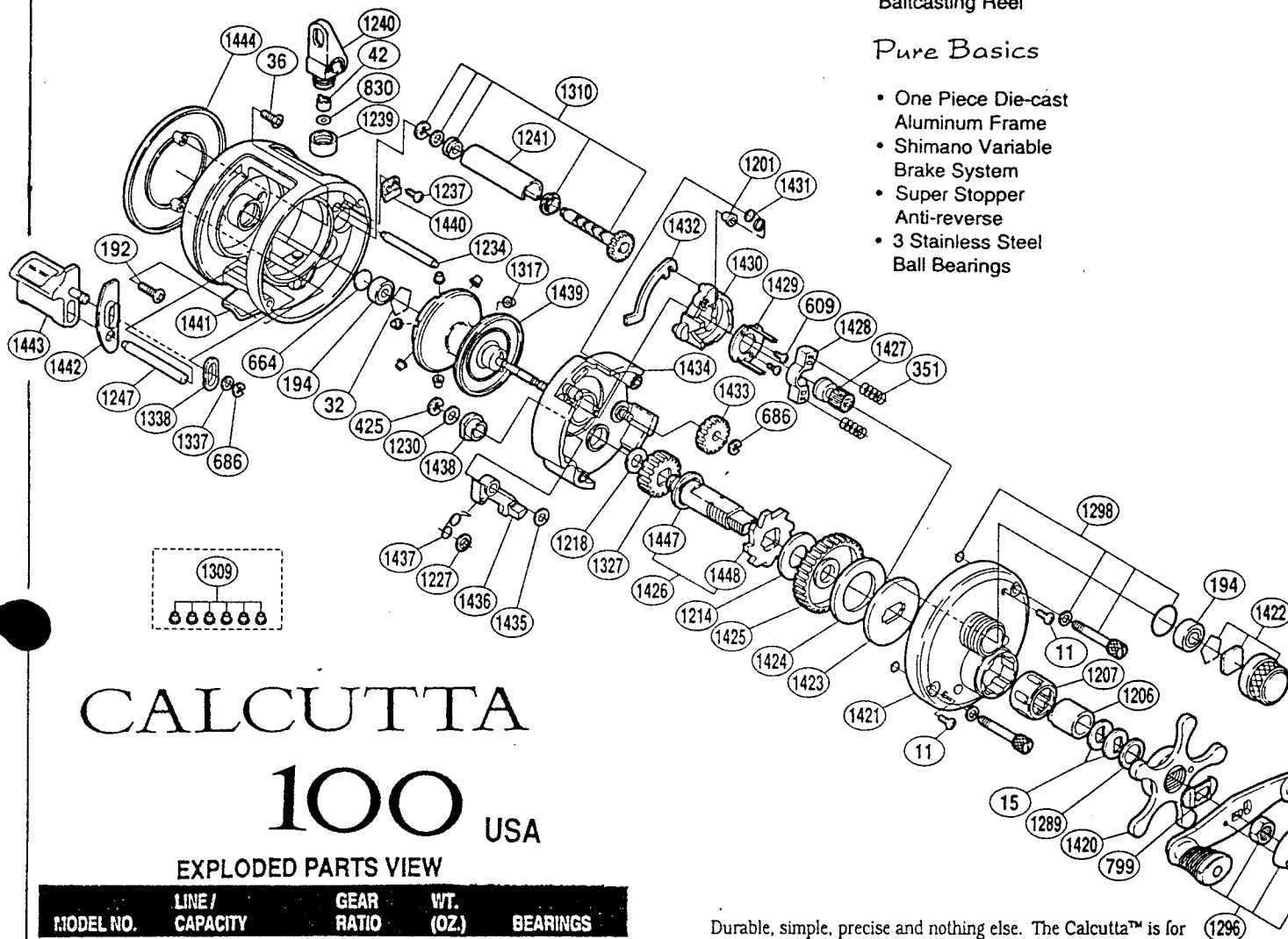




CALCUTTA™
Baitcasting Reel

Pure Basics

- One Piece Die-cast Aluminum Frame
- Shimano Variable Brake System
- Super Stopper Anti-reverse
- 3 Stainless Steel Ball Bearings

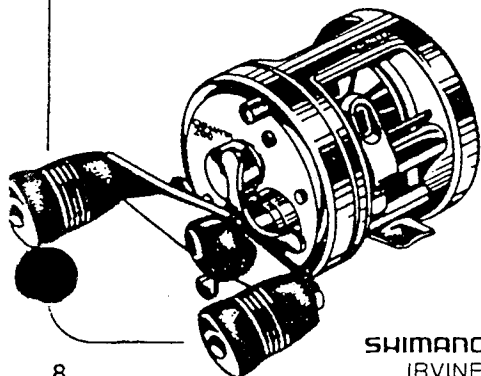


CALCUTTA

100 USA

EXPLODED PARTS VIEW

MODEL NO.	LINE / CAPACITY	GEAR RATIO	WT. (OZ.)	BEARINGS
CT-200A	8/230, 10/210, 14/120	5.8:1	9.7	2 ball, 1 roller



Durable, simple, precise and nothing else. The Calcutta™ is for aggressive anglers who demand the most out of their tackle.

Durable - Calcutta's one-piece die cast aluminum frame provides strength without excess weight. Pinion gear, clutch cam, and yoke will faithfully handle the pressure of even the most rigorous tournament fishing.

Simple - Pure mechanical simplicity is achieved with the Shimano Variable Break system™. Casting functions are simplified with the flush mounted, QuickFire II® clutch bar. It naturally positions your thumb on the spool at all times.

Precise - A feeling of incomparable smoothness and pure precision is the result of Calcutta's aluminum componentry and three carefully placed bearings (2 ball & 1 roller). Control is maximized and handle play is completely eliminated by the Super Stopper™ anti-reverse. Drag smoothness and reliability is enhanced by the use of molybdenum, which provides a low friction surface allowing the drag to start smoothly, and a titanium/cotton material which widens the drag pressure range.

PART #	DESCRIPTION	*A* INTERCHANGEABILITY	*B* INTERCHANGEABILITY
BNT0011	Right Side Plate Screw	BB 0060,BNT0048,TRN0007	BB 0012,BNT0285
BNT0015	Drag Spring Washer		
BNT0032	Bearing Retainer	BB 0048,BNT0083	
BNT0036	Left Side Plate Screw		
BNT0042	Line Guide Pawl		
BNT0192	Left Side Plate Screw		
BNT0194	Ball Bearing	BNT0084,TGT0184	
BNT0351	Yokde Spring		
BNT0425	*E* Lock	BB 0037,BNT0234,BR 0326,RD 1673, TGT0042,TLD0137,TRN0091,TT 0096	BR 0117,RD 0476
BNT0609	Clutch Cam Spring		
BNT0664	Spacer (B)		
BNT0686	Idle Gear (B) Retainer	BB 0052,BR 0481,RD 2404,TGT0062, TLD0018,TRN0043,TRN0090,TT 0068	
BNT0799	Friction Washer		
BNT0830	Spacre (optional)		
BNT1201	Retractor Spring Collar		
BNT1206	Roller Clutch Inner Tube		
BNT1207	Roller Clutch Bearing		
BNT1214	Drag Washer (A)		
BNT1218	Idle Gear (A) Spacer		
BNT1227	Clutch Pawl Spring Retainer	TLD0027,TT 0168	
BNT1230	Drive Shaft Spacer	TGT0032	
BNT1234	Level Wind Guide		
BNT1237	Worm Bearing (A) Ret. Screw		
BNT1239	Pawl Cap		BNT1092,TGT0227
BNT1240	Line Guide		
BNT1241	Level Wind Guard		
BNT1247	Clutch Bar Support		
BNT1289	Star Drag Spacer		
BNT1296	Handle Assembly		
BNT1298	Rt. Side Plate Bolts Assembly		
BNT1309	Brake Collar (green)		
BNT1310	Worm Shaft Assembly		
BNT1317	Brake Collar (red)		
BNT1327	Idle Gear		
BNT1337	Clutch Bar Support Spacer		
BNT1338	Clatch Bar Guide (A)		
BNT1420	Star Drag		
BNT1421	Right Side Plate		
BNT1422	Cast Control Cap Assembly		
BNT1423	Key Washer		
BNT1424	Drag Washer (C)		
BNT1425	Drive Gear		
BNT1426	Drive Shaft		
BNT1427	Pinion Gear		
BNT1428	Yoke		
BNT1429	Clutch Cam Retainer		
BNT1430	Clutch Cam		
BNT1431	Retractor Spring		
BNT1432	Clutch Plate		
BNT1433	Idle Gear (B)		
BNT1434	Set Plate		
BNT1435	Clutch Pawl Spacer		
BNT1436	Clutch Pawl		
BNT1437	Clutch Pawl Spring		
BNT1438	Drive Shaft Bushing		
BNT1439	Spool Assembly		
BNT1440	Worm Bearing (A) Retainer		
BNT1441	One-Piece Frame		
BNT1442	Clutch Bar Guide (B)		
BNT1443	Quick-Fire II Clutch Bar		
BNT1444	Left Side Plate		
BNT1447	Drive Shaft		
BNT1448	Anti-Reverse Ratchet		